

Engineering and Technical Support

Survey: At owner's request, and according to the intervention to be made, a visit on board is scheduled to check the feasibility of the work to be performed and keep all the data necessary to complete the lists of materials and technical specifications and engineering drawings;

Creation of the material lists: quantitative and qualitative analysis of the materials to be used;

Technical specification: we provide to the customer all the technical details to perform the required work;

Engineering: realization of technical drawings by software like CAD-CAM or ED design to be used for on board library or Class approval (to be done by the Owner).

3D Scanning: performance of 3D scanning by laser scanner in order to take dimension with strict tolerances and design of big modification that requires workshop pre-fabrication.

Planning: plan of on board intervention boat for execution and logistic phase in order to support jobs done during Repairs or Dry Docks.



Piping

We can supply and fit:

- Steel pipes (type ASTM A106 gr.B)
- Pressfitting systems (such as press-fitting, cunipress, hermetic, etc.)
- Drain Systems (steckdrain, blu power)
- Georg Fischer (PE, PB, PP-R, i-fit)
- CuNi 90/10
- Stainless Steel 304 - 316 - 316L
- Valves and Fittings
- HI-FOG

For each type of material we can make:

- Technical Survey on board and specification drafting
- Pre-Construction in workshop and installation on board



Ventilation ducts, and Exhaust Gas Extraction

We can supply and fit:

- Circular and square ducts;
- Ventilation dampers;
- Electric motors for ventilation;

For the dampers ventilation we are able to perform maintenances dedicated to the mechanical parts, pneumatic and electric.



Insulation

Insulation of pipes, ducts, machineries, etc.



Steel Works

Watertight and fire doors;
New structural tanks for fuel, oil, water and existing ones refit;
Basement for pumps, construction of flooring, balustrades and other works of light carpentry.

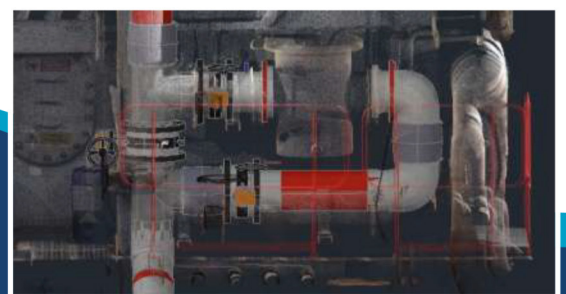


New technologies for limiting emissions in the shipping industry

Mec Ship srl, in the field of industrial choices, aimed at the development of *Green Technology* for shipping since 2016 has worked to develop design, planning and installation capacity of systems for the reduction of emissions from ships both in the air and in the air. in water (*New Piping Technology Installation, Ballast Water Management System, Scrubber, GHG Limitation System, etc.*).

To this end, investments have been made in **three-dimensional laser scanning** by acquiring tools such as the Faro Focus 150 and Faro Focus Premium 75 laser scanners and **cloud treatment software** for points such as SCENE, AVEVA E3D and LASER MODELLER, capable of performing laser surveys and processing of the Engine Room, complete or partial, to verify spaces and possibilities of installations, and to be able to develop a complete 3D design of the various retrofit solutions.

Different emission reduction systems and technologies have also been studied and analyzed in order to make Mec Ship srl a designer, independent installer and consultant in the operational choice of systems by those Owners who require a *turn-key* service. Furthermore, Mec Ship srl has established agreements with suppliers of new generation materials, especially with regard to both Polyethylene (PE100), Polybutylene (PB), etc., pipes, in order to support shipowners in using the new types of systems with the most advanced materials.

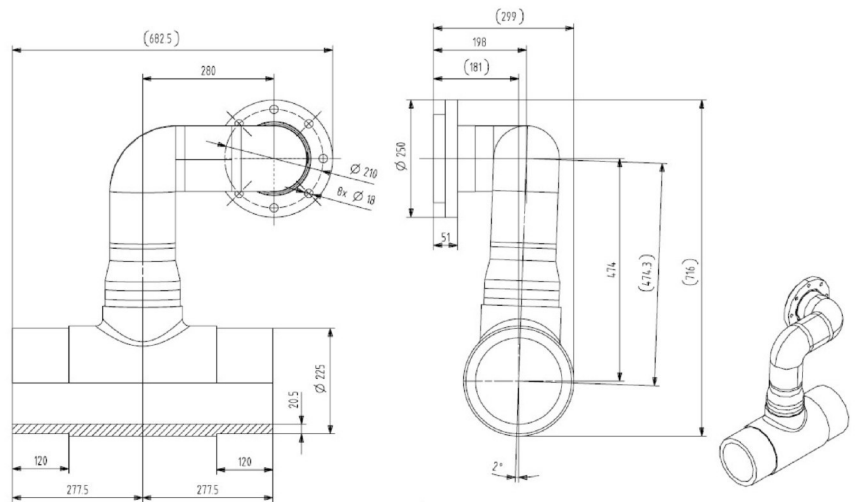


Vista Class Ships - Costa Luminosa FW Upgrade Dry Dock Trieste 2021



Suction and Feeding FW Manifolds

PRE-ASSEMBLED OF TEE CONNECTION
IN PE 100 SDR 11 d225 WITH FLANGED
REDUCTION d140



Vista Class Ships - Costa Luminosa FW Upgrade Dry Dock Trieste 2021

Hot Water Manifold Regulating Valves

PRE-ASSEMBLED IN INSTAFLEX PB d 160
- 110 - 90

BUNKERING MANIFOLD FRESH WATER
d280 mm WITH CONNECTION d225 mm
AND d140 mm OBTAINED FROM FULL
PE 100 SDR 11



Special pieces could be installed on similar ships belonging to same class

Turn-Key Projects

Mec Ship srl accomplished many specialized turnkey projects including engineering, design, evaluation of the installation phases and final delivery of the project. We provide the best most innovative and up-to-date installations with our professional approach.



Complete installation of Ballast Water Treatment Systems



Complete Fuel Flow meters / quick closing valves installation (including compressed air plant and electrical wiring)



Mec.Ship. srl

Registered Office:
Via G. D'Annunzio, 21
80053 Castellammare di Stabia (Na)

Ph/Fax: +39 0823 692379
Mail: info@mecship.it
Web: www.mecship.it

P.IVA: 05033491217

